



FIRE DOOR PRICE LIST

Malıköy Anadolu O.S.B.
30 Ağustos Cad. No: 26
Sincan Ankara, TÜRKİYE

T: +90 312 554 50 50
F: +90 312 554 50 54
W: +90 549 554 50 52

dimak@dimak.com.tr

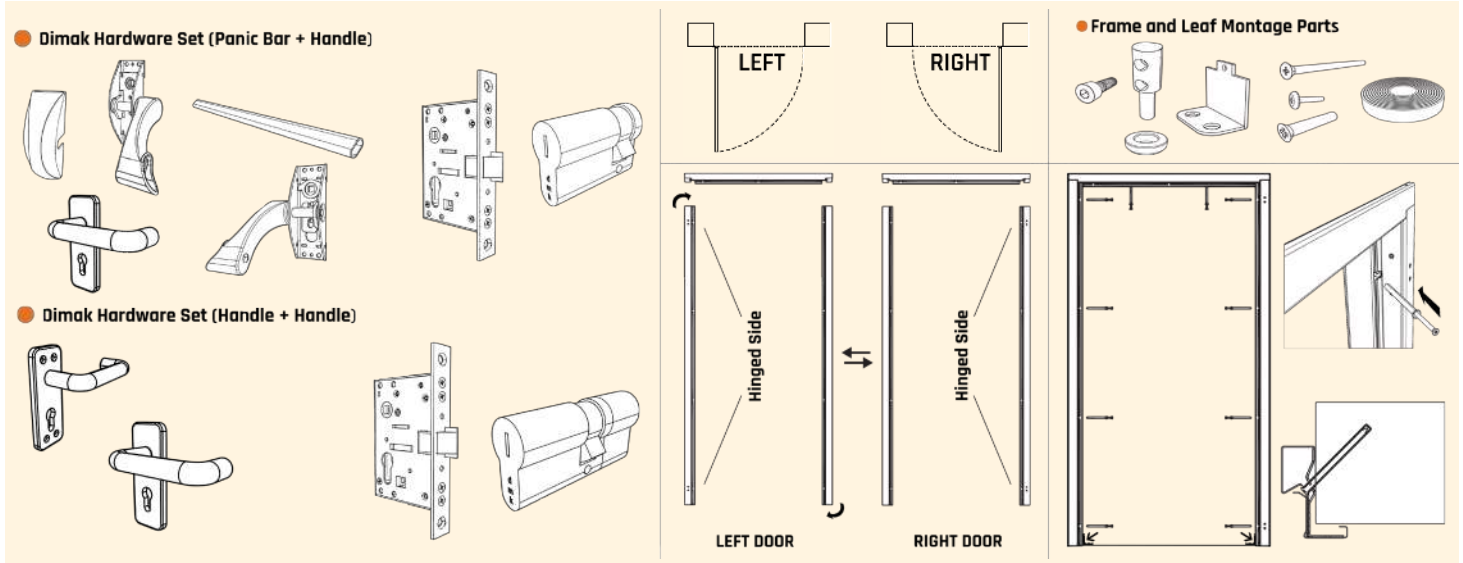
www.dimak.com.tr



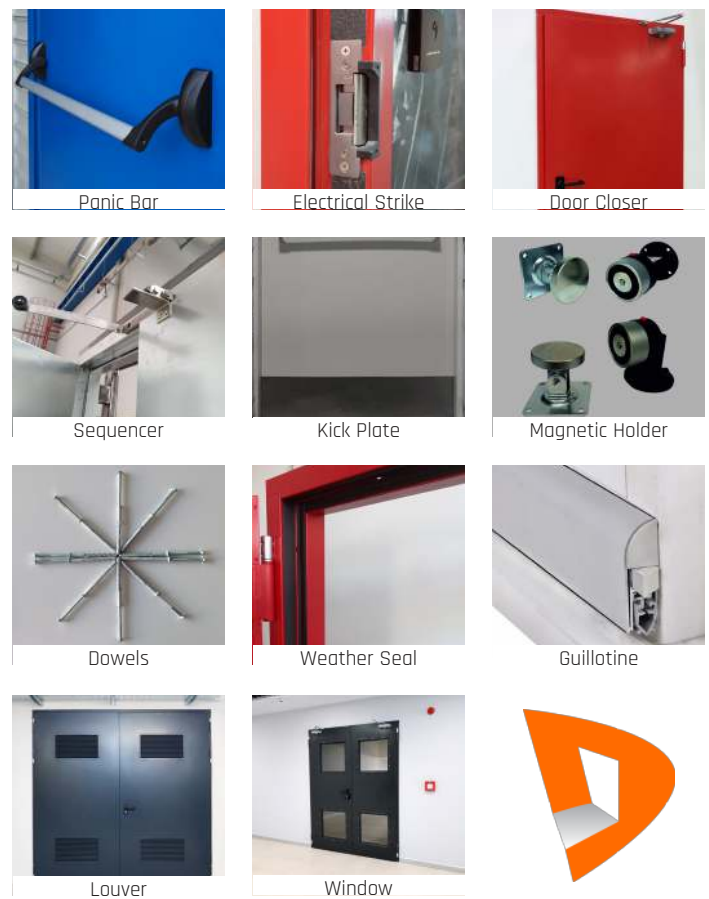
dimakdoor

- Tested according to EN 1634-1&UL 10c
- Certification for 60, 90 and 120 minutes fire rating
- Coated with electrostatic powder coating process
- 63 mm leaf thickness with 0.8 mm thick galvanized steel
- Frame is produced from 1.50 mm galvanized steel
- Corrosion resistant
- High rigidity with its unique sectional design
- High-quality thermo expanding (intumescent) seal
- Heavy-duty hinges with ball bearing (one)
- Self-closing hinge (spring hinge)
- Two safety bolts per leaf on the hinge side

- Installed with 10 universal dowels directly to the wall
- Provided supporting plates inside the leaves
- Frames are designed in 3 disassembled pieces
- Nylon packaging of high thickness
- Packed on pallets (15 sets of single leaf doors on each)
- Supplied with lock, handle/panic bar, euro cylinders, 3 keys
- Designed the lock to be used in left and right doors
- Double function in lock; panic and anti-panic
- Cast aluminium (rust proof) handle and panic bar
- Mono-block hardware system giving the fire door and hardware set durability and longer life



OPTIONAL ACCESSORIES - All prices are in gross.		
Accessory	Unit	Euro
Panic Bar on Secondary Leaf	ea	88
Electrical Strike	ea	132
Door Closer	ea	44
Sequencer	ea	44
Kick Plate	ea	44
Magnetic Holder	ea	110
Dowels	ea	0.77
Weather Seal	m	2.2
Guillotine		
1000 mm	ea	69
1100 mm	ea	80
Louver (Fire Rated / 60 Minutes)		
270x500 mm	ea	429
330x600 mm	ea	451
Louver (Non-Fire Rated / Metal on the Door Leaf)		
270x500 mm	ea	26
330x600 mm	ea	33
Windows (Fire Rated / E-90)		
300x400 mm	ea	220
500x500 mm	ea	220



SINGLE LEAF/CORNER FRAME PRICE LIST (EURO)		HEIGHT (mm)									
PANIC BAR + HANDLE		2000	2050	2100	2150	2200	2250	2300	2400	2500	2600
WIDTH (mm)	800	367	372	376	383	387	394	398	460	471	497
	900	376	*383*	*387*	*394*	*398*	383	387	473	486	513
	1000	392	*398*	*403*	*409*	*416*	420	427	493	504	532
	1100	407	*414*	*420*	*427*	*431*	438	444	513	526	554
	1200	444	451	458	464	471	477	486	559	574	603
	1300	449	455	462	471	477	484	491	565	581	609

Standard Size Doors / All prices are in gross.

SINGLE LEAF/CORNER FRAME PRICE LIST (EURO)		HEIGHT (mm)									
HANDLE + HANDLE		2000	2050	2100	2150	2200	2250	2300	2400	2500	2600
WIDTH (mm)	800	341	348	352	359	363	370	374	433	444	471
	900	352	*359*	*363*	*370*	*374*	381	385	447	458	486
	1000	367	*374*	*378*	*385*	*389*	396	403	464	477	506
	1100	383	*389*	*395*	*400*	*407*	414	420	486	499	528
	1200	418	427	433	440	447	453	460	532	546	576
	1300	425	431	438	444	453	460	466	539	554	583

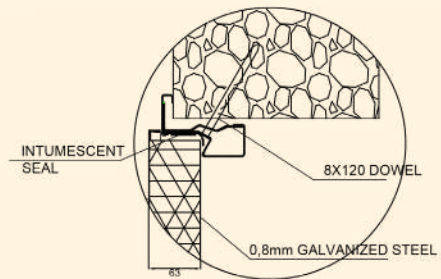
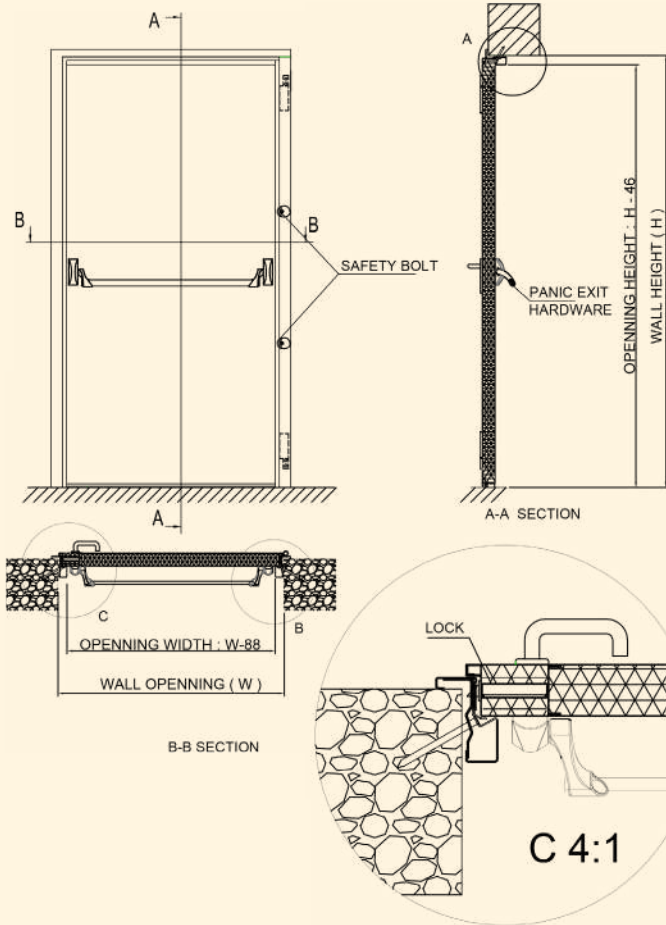
Standard Size Doors / All prices are in gross.

DOUBLE LEAF/CORNER FRAME PRICE LIST (EURO)		HEIGHT (mm)									
M: PANIC BAR + HANDLE / S: BOLT		2000	2050	2100	2150	2200	2250	2300	2400	2500	2600
WIDTH (mm)	700+700	675	686	697	706	717	728	737	862	884	942
	1000+400	642	653	662	671	680	691	700	818	838	893
	750+750	682	693	704	713	724	735	744	869	893	950
	1000+500	677	688	699	708	719	728	739	864	886	941
	800+800	689	700	711	719	730	741	750	878	900	957
	1000+600	684	695	706	715	726	735	746	871	893	950
	850+850	702	711	722	733	744	755	766	893	917	975
	1000+700	719	730	741	752	763	774	785	917	942	999
	900+900	726	737	748	759	772	783	794	926	950	1010
	1000+800	724	735	746	757	770	781	792	924	948	1008
	950+950	735	748	759	770	781	792	805	937	964	1023
	1000+1000	759	772	783	794	807	818	832	968	994	1056
	1100+1100	807	821	834	845	858	871	884	1030	1058	1122
	1200+1200	867	882	895	911	924	939	953	1109	1140	1206

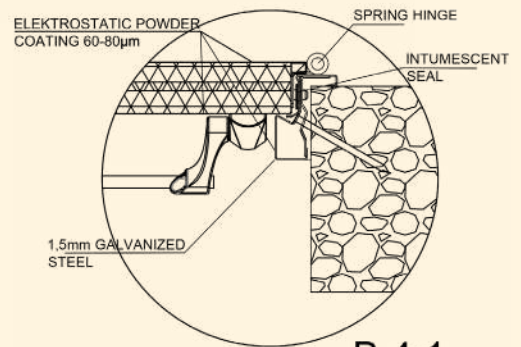
M: Main Leaf S: Secondary Leaf / All prices are in gross.

DOUBLE LEAF/CORNER FRAME PRICE LIST (EURO)		HEIGHT (mm)									
M: HANDLE + HANDLE / S: BOLT		2000	2050	2100	2150	2200	2250	2300	2400	2500	2600
WIDTH (mm)	700+700	647	658	669	678	689	700	708	832	854	911
	1000+400	614	625	634	642	651	662	671	788	807	862
	750+750	653	664	675	684	695	706	715	838	862	917
	1000+500	647	658	669	678	689	697	708	829	851	909
	800+800	660	671	680	691	702	713	722	847	869	926
	1000+600	653	664	675	684	695	704	715	838	860	917
	850+850	673	682	693	704	715	726	737	862	884	944
	1000+700	691	702	713	724	735	746	757	884	909	968
	900+900	697	708	719	730	744	755	766	895	920	979
	1000+800	697	708	719	730	741	752	763	893	917	977
	950+950	706	719	730	741	752	763	777	906	931	990
	1000+1000	730	744	755	766	779	790	803	937	964	1023
	1100+1100	779	792	805	816	829	843	856	999	1027	1089
	1200+1200	838	854	867	882	895	911	924	1076	1109	1175

M: Main Leaf S: Secondary Leaf / All prices are in gross.

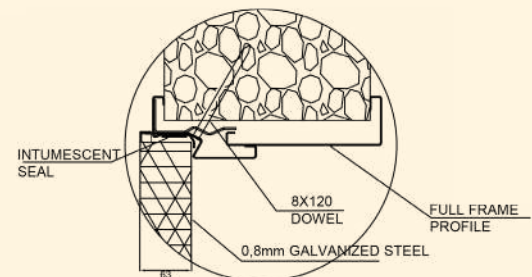
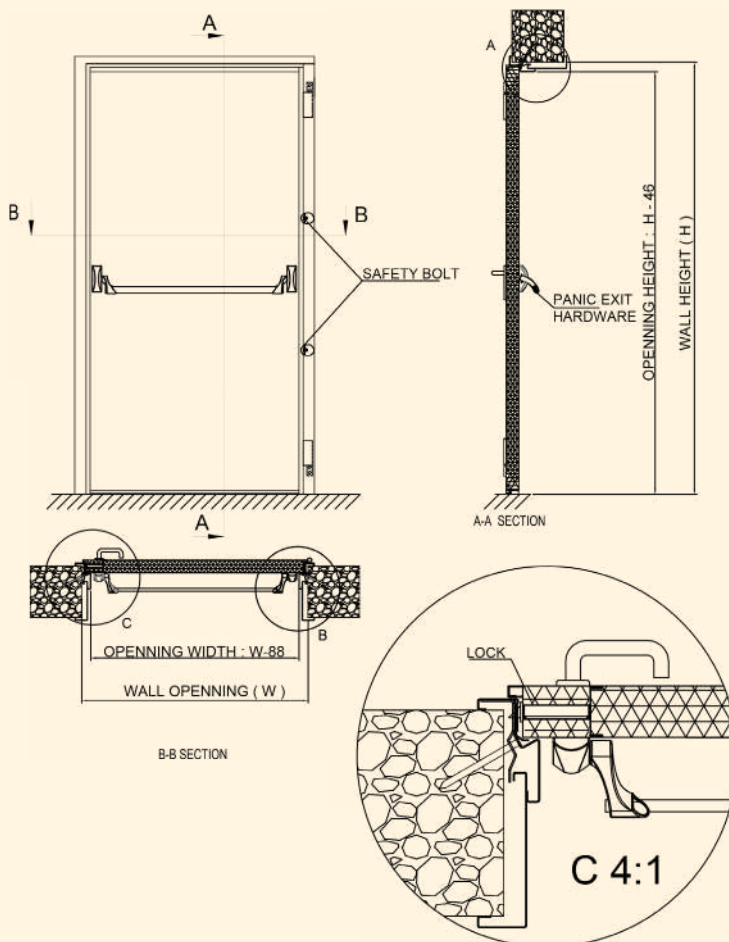


A 4:1

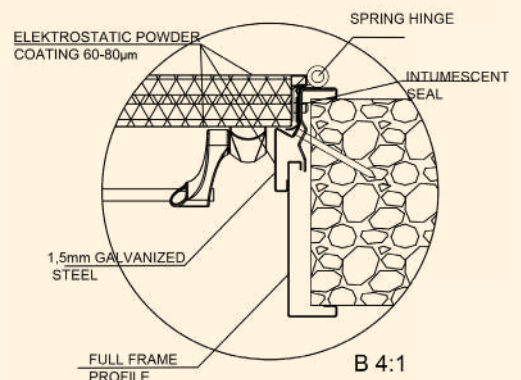


B 4:1

DİMAK FIRE DOOR
 SINGLE LEAF - PANIC HARDWARE
 CORNER FRAME



A 4:1



B 4:1

DİMAK FIRE DOOR
 SINGLE LEAF - PANIC HARDWARE
 FULL FRAME